

YESSYS
研成工业

深圳市研成工业技术有限公司
SHENZHEN YESSYS TECHNOLOGY CO.,LTD

信号收集器DC02

使用手册

- 使用前请阅读本产品使用手册
- 阅读后请妥善保管，并放在便于保存的地方

YESSYS
研成工业

深圳市研成工业技术有限公司
SHENZHEN YESSYS TECHNOLOGY CO.LTD

电话：0755-27447560
邮箱：frank@yessys.com
网站：www.yessys.com
地址：深圳市龙岗区南湾街道布澜路21号联创科技园联创科技大厦13层



目录

- 1/产品用途.....
- 2/确认包装内容.....
- 3/安装方式.....
- 4/操作说明.....
- 5/网络连接说明.....
- 6/软件安装说明.....
- 7/安全注意事项.....
- 8/外观尺寸图.....
- 9/产品保修与服务.....

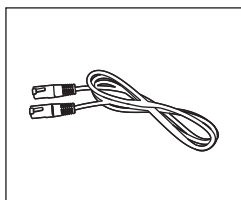
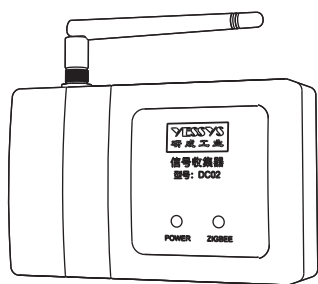
1/产品用途

该收集器为zigbee网络中的收集器，主要功能是收集设备上传的数据，通过以太网转发给服务器。

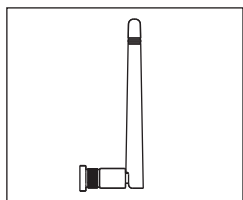
2/确认包装内容



使用手册



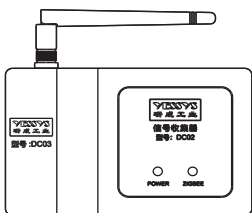
网线



天线

3/安装方式

- 1: 将收集器安装在安装位上，用螺丝钉固定。
- 2: 装好天线。
- 3: 通过数据线USB接口端与电脑连接，另一端连接主机。
- 4: 插上电源线，打开开关，收集器即可工作。



4/操作说明

- 1: ZIGBEE通讯，16个频点。
- 2: 通讯半径50米；ZIGBEE无线通讯工作在2.4G，带宽为2M属于窄带宽通讯，可以有效避免和其它带宽重叠引起干扰【WIFI带宽为22M】；ZIGBEE有16个通讯频点可以切换，当某个频点发生干扰冲突时，可以切换工作频点，有效避开干扰；ZIGBEE有信号收集器与信号中转器构成通讯网络，当信号较弱或通讯距离较远时，可以通过信号中转器桥接信号。
- 3: 无线遥控设置。
- 4: 中转、收发数据。

5/网络连接说明

- 1: 开启装有信号收集器的电脑,先关闭“物联服务”(购买了研成的产品,将会免费安装的软件) 打开桌面软件。
- 2: 如果信号收集器与电脑连接OK, 将出现以下图面。
- 3: 点击“物联网查看数据LOG”文件夹(软件安装时自动生成), 将可查看收集到已安装的设备信息, 数据是每天实时自动收集。
 - a. 点击文件夹。
 - b. 自动生成的LOG。
 - c. 点击任意LOG可查询数据收集的状态。
- 4: 以上都可正常操作与运行, 即数据收集器正常连接与工作。

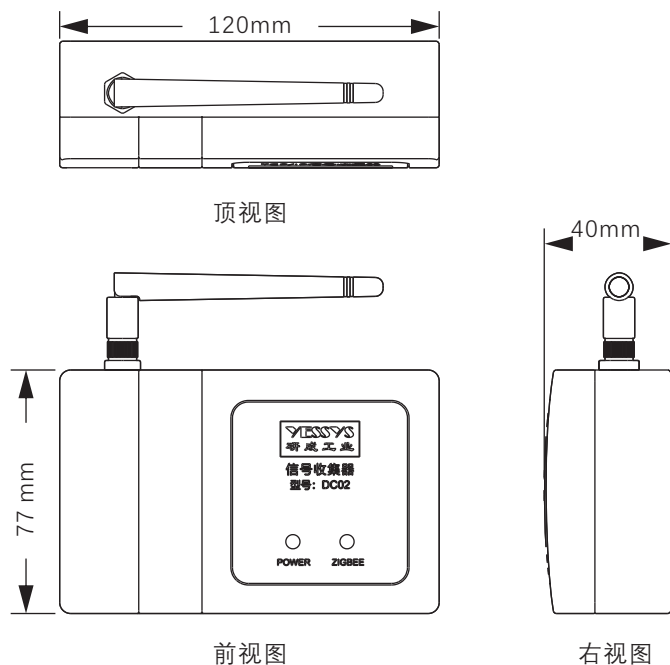
6/软件安装说明

收集器软件包含：数字化工厂管理系统、物联服务数据收集等软件，安装该软件需客户提供电脑和服务器，服务器配置根据使用数量决定，我建议服务器配置：系统 Window server 2012、CPU 4核及以上、内存 8G 及以上、存储空间 500G及以上，我司可支持在线远程安装或电话指导安装，如有疑问，请致电0755-27447560。

7/安全注意事项

- ◆ 安装使用前请阅读此说明。
- ◆ 易燃易爆的环境下不可操作设备。
- ◆ 不得擅自进行修理。

8/外观尺寸图



9/产品保修与服务

产品保证书

YESSYS的产品经过严格的出厂检验，如出现故障请于YESSYS联系，并提供故障详细情况。

1:保用期

凡我司出售的产品保用期为一年，自出售日起一年内因产品自身机件、材料及工艺问题造成的质量问题，本公司免费修理。

2:在保用期内，发生如下情况本公司有权拒绝保修服务而酌情收取维修元件费和服务费。

- A. 用户使用不当或错误操作导致产品故障；
- B. 雷击或安装不当造成烧毁之事故；
- C. 标签损毁或未经授权而擅自拆开设备进行维修；

3:送修产品请妥善包装运送，运送过程如有破损或遗失，本公司恕不负责。

4:本公司保留最终解释权，如有修改恕不另行通知。



深圳市研成工业技术有限公司
SHENZHEN YESSYS TECHNOLOGY CO.,LTD

Signal collector-DC02

User guide

- Please read the user guide of the product before using
- Keep it safe after reading and keep it in a convenient place



深圳市研成工业技术有限公司
SHENZHEN YESSYS TECHNOLOGY CO.LTD

Tel: 0755-27447560
Web: www.yessys.com
E-mail: frank@yessys.com

Address: East 13 floor building 31 lianchuang science and technology park
No21 ,Bulan Road ,Xialilang community ,Nanwan subdistrict
Longgang District ,Shenzhen



Manual

1/Product application.....
2/Confirm packaging.....
3/Product description.....
4/Operation instruction.....
5/Network connection instruction.....
6/Software installation instructions.....
7/Security consideration.....
8/Product size.....
9/Product warranty and service.....

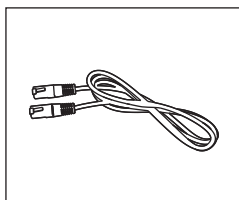
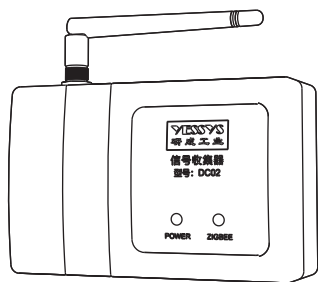
1/Product application

The collector works in the ZIGBEE network ,it collects data updated by devices and transmit the data to the server over Ethernet.

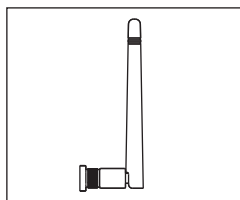
2/Confirm packaging



User guide



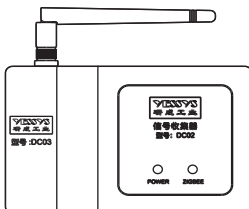
Network cable



Antenna

3/Install method

- 1: To fix the device on the specified location by the screw.
- 2: Assemble the antenna.
- 3: Connect to the computer through the USB interface end of the data cable, and connect to the host at the other end.
- 4: Plug in the power cable ,and power on ,the collector can work.



4/Operation instruction

- 1 :ZIGBEE communication ,16 frequency points
- 2 :Communication radius of 50 meters ,ZIGBEE wireless communication works in 2.4G with a bandwidth of 2M ,which belong to narrow bandwidth communication , which can effectively avoid the interference caused by overlap with other bandwidths (WIFI bandwidth is 22M), ZIGBEE has 16 communication frequency points for switching ,when interference occur at anyone frequency point ,it will auto switch to another frequency point to avoid the interference effectively, ZIGBEE has a signal collector and signal transmitter to form a communication network, when the signal is weak or far away ,you can bridge the signal through the signal transmitter .
- 3 :Wireless remote control and setting.
- 4 :Transmitting and receiving data.

5/Network connection instruction

- 1 :Power on the computer equipped with signal collector ,firstly,turn off the "internet of things service"(we will install the software for free ,if you purchased the product from YESSYS), open the software on the desktop.
- 2 :If the signal collector is connected to the computer successfully , the screen will show as below figure.
- 3 :Click the folder icon of "Internet of things view data LOG"(automatically generated during software installation),you can check the collected and uploaded data,which is automatically collected daily in real time .
 - a. Click the folder.
 - b. Automatically generated logs.
 - c. Click any log to check the data collection status.
- 4 :The above operation is run normally ,means the data collector is connected and works normally

9/Software installation instruction

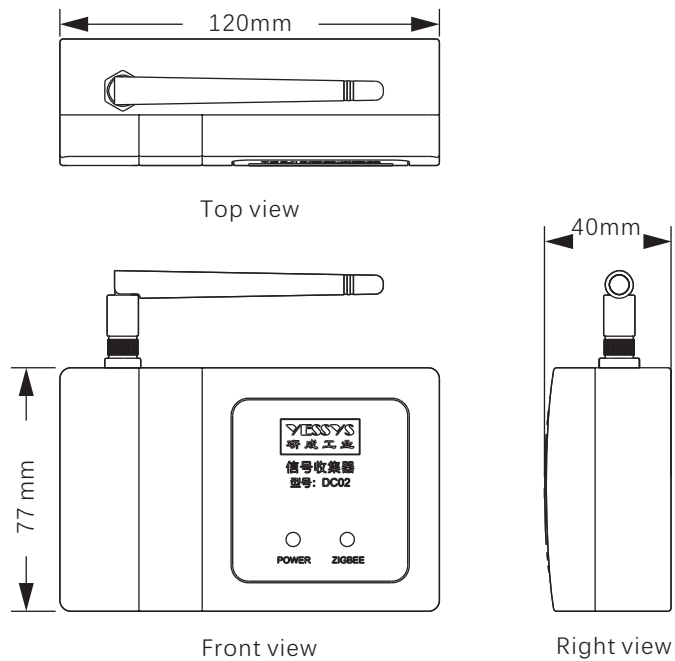
The collector software including :digital factory management system , internet of things service data collection and other software, the computer and service which will be installed the software is provided by the customer ,the server configuration is determined by the number of users,Recommended server configuration : System Window server 2012, CPU 4 core or above, memory 8G or above, storage space 500G

or above We will support online remote installation or telephone installation guide , any questions ,please call 0755-27447560

7/Security considerations

- ◆ Please read the guide before installation and use.
- ◆ Do not operate the device in an flammable and explosive environment.
- ◆ Do not repair without authorization

8/Exterior dimension drawing



13/Product warranty and service

Product warranties

YESSYS'S products are strictly inspected by the factory, in case of failure ,please contact YESSYS who will provide detail solution of the failure

1:Warranty period:

The warranty period of products sold by our company is one year, and the warranty period is one year from the date of sale due to the parts ,material or process quality problem of the product ,we will provide free repair .

2:During the warranty period ,we have the right to refuse the warranty service and charge the repair component fee and service fee as appropriate under the following status:

- A. Product failure caused by improper use or wrong operation by the user;
- B. Burnt-out accidents caused by lightning strikes or improper installation;
- C. Label damage or unauthorized disassembly for maintenance;

3:Please pack and ship properly the product for repair , we will not be responsible for any damage or loss during transportation.

4:We reserves the right of final interpretation ,subject to change without prior notice.